



5520 Northwest Drive
Bellingham WA 98226
360.305.0944

Joe's Tonka Toy Landing Craft

June 17, 2020



Product Overview

Three and a half hours from Juneau at 35 knots, Elfin cove is home to some of Alaska's best sport fishing. Hard Drive Marine built a service boat for Eagle Charters, designed to transport supplies and fuel to the Island. This boat can haul a Bobcat, a week's supply of food, and 750 gallons of fuel for the rest of the fleet, all in one quick trip.

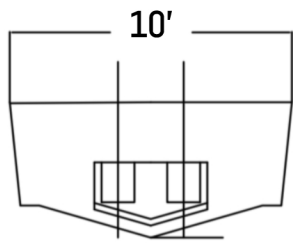
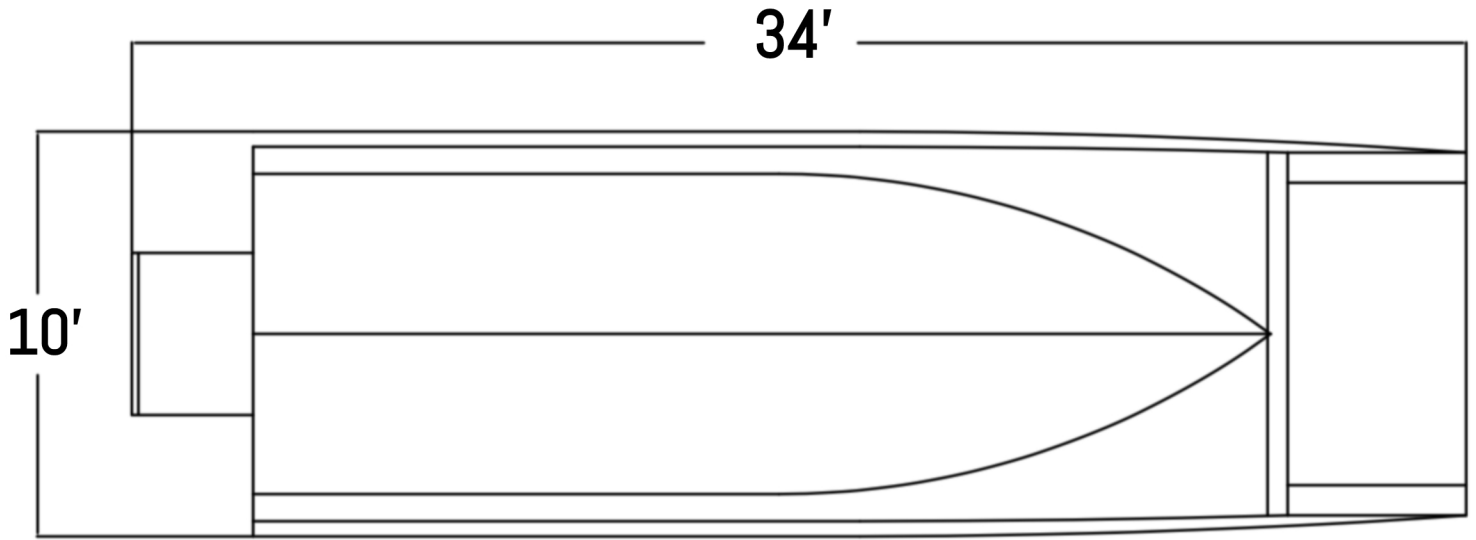
Project Details

HULL MODEL 3410

BUILD #JOE'S TONKA TOY

DIMENSIONS: LENGTH 34' BEAM 10'

POWER: SINGLE YAMAHA 350 HP V8



3410



Project Details:

Hull Model 3410

Dimensions LOA 34' x 10'

Power: SINGLE YAMAHA 350 HP V8

