



5520 Northwest Drive
Bellingham WA 98226
360.305.0944

High Speed Landing Craft LC-17

June 17, 2020

Product Overview

The LC-17 is the same platform as the LC-9 and LC-12 and also includes a few upgrades.

- Twin Suzuki 350 dual props
- Extendable hydraulic bow ramps
- Heated cabin with seating for 7
- Fold down table to create bunk for 2
- Underseat storage
- 400 gallon fuel tank
- Complete SeaStar steering system with joystick control
- [Maxgate](#) landing door



Project Details

HULL MODEL 4011

BUILD #LC-17

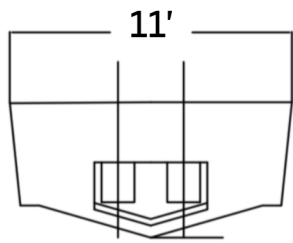
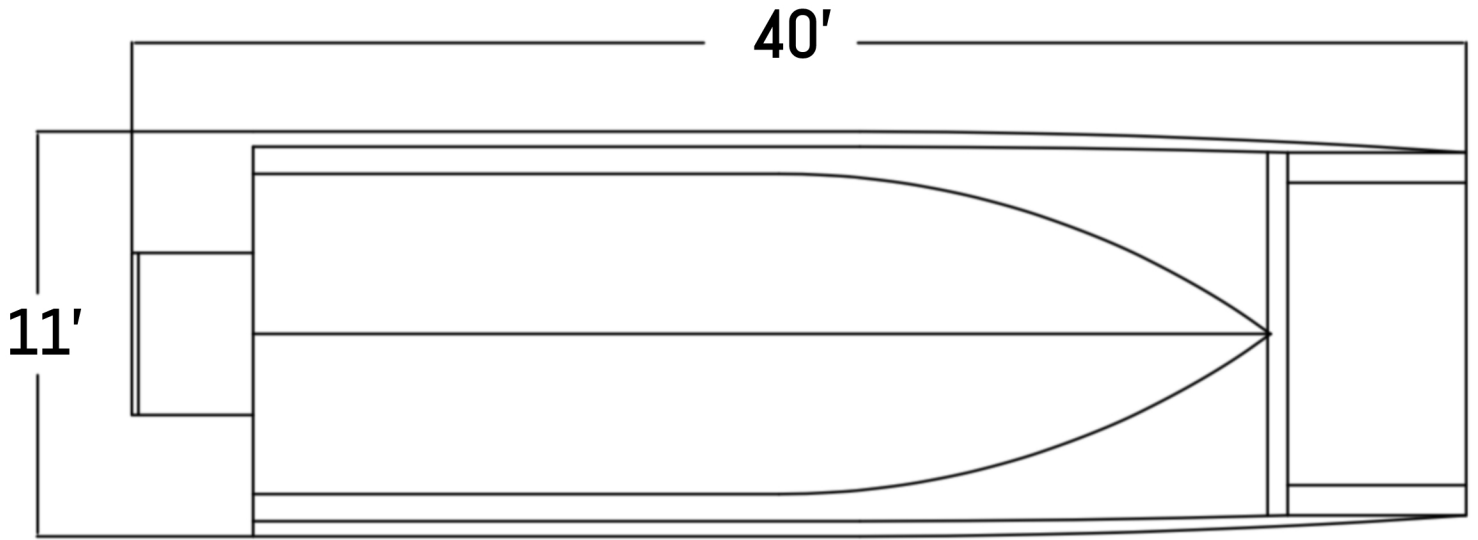
DIMENSIONS: LENGTH 40' BEAM 11'

POWER: X2 SUZUKI 350 HP

More Photos







4011



Project Details:

Hull Model 4011

Dimensions LOA 40' x 11'

Power: X2 SUZUKI 350 HP

