



5520 Northwest Drive
Bellingham WA 98226
360.305.0944

Bodhisattva Landing Craft

June 17, 2020

Product Overview



The Bodhisattva was a landing craft built with comfortable human transport in mind. The cabin includes rows of bench seats, head, galley, and suspension seating forward. Groups of ten can ride in the comfort of the cabin to remote areas of Canada's inside passage.

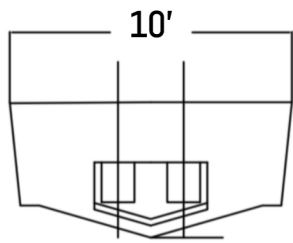
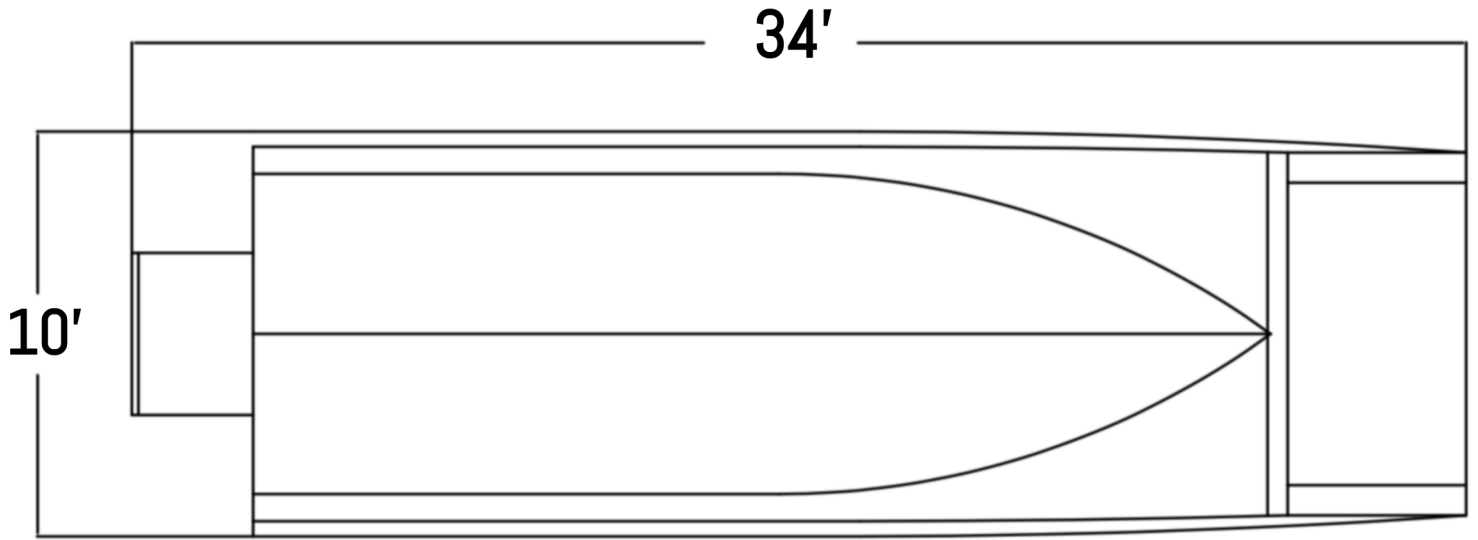
Project Details

HULL MODEL 3410

BUILD #BODHISATTVA

DIMENSIONS: LENGTH 34' BEAM 10'

POWER: X2 HONDA 200 HP



3410



Project Details:

Hull Model 3410

Dimensions LOA 34' x 10'

Power: X2 HONDA 200 HP

