



5520 Northwest Drive  
Bellingham WA 98226  
360.305.0944

# High Speed Landing Craft LC-15

June 17, 2020



## Product Overview

Build #LC-15 will service a youth camp in the San Juan islands running equipment and personnel to and from the camp location.

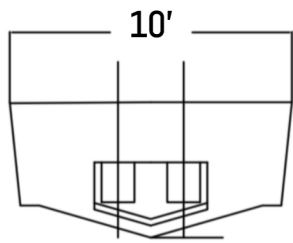
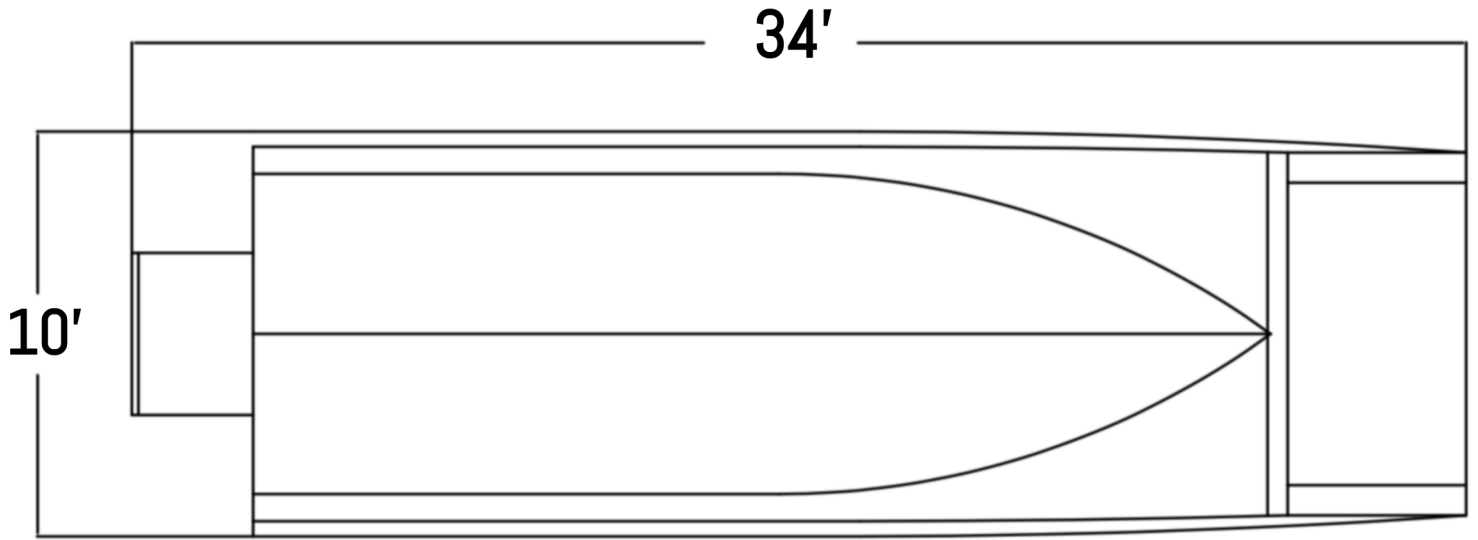
## Project Details

**HULL MODEL 3410**

**BUILD #LC-15**

DIMENSIONS: LENGTH 34' BEAM 10'

POWER: X2 SUZUKI 200HP



3410



**Project Details:**

Hull Model 3410

Dimensions LOA 34' x 10'

Power: X2 SUZUKI 200 HP

