



5520 Northwest Drive  
Bellingham WA 98226  
360.305.0944

# High Speed Landing Craft LC-6

June 17, 2020



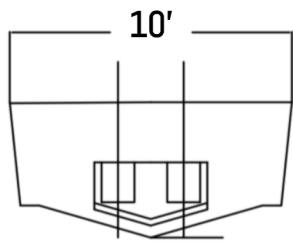
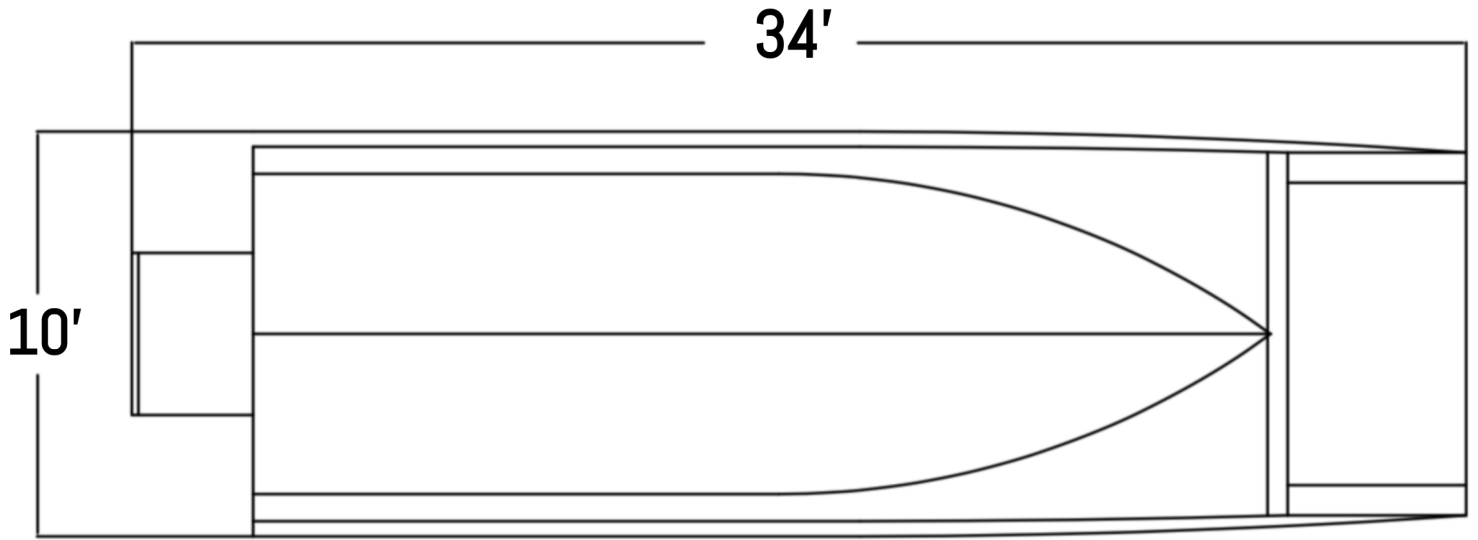
## Product Overview

The LC6 is the sixth landing craft we built and it was specifically designed to service cold water kayak tours. This 34×10 features a hydraulic bow door and large decks both bow and stern with plenty of room for passengers in the cabin, and a hull to withstand ice flow.

## Project Details

**HULL MODEL 3410**  
**BUILD #LC-6**

**DIMENSIONS: LENGTH 34' BEAM 10'**  
**POWER: 2X YAMAHA 250HP**



3410



**Project Details:**

Hull Model 3410

Dimensions LOA 34' x 10'

Power: 2X YAMAHA 250 HP

