



5520 Northwest Drive
Bellingham WA 98226
360.305.0944

High Speed Landing Craft LC-5

June 17, 2020



Product Overview

The LC5 was one of our “spec” builds and was the first of our boats that received the [Maxgate](#) landing system. The 34×10 LC5 is now named the “Seahawk” and is operated by Washington State Parks helping to maintain marine park properties throughout the state.

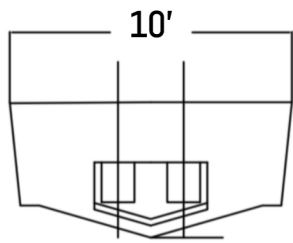
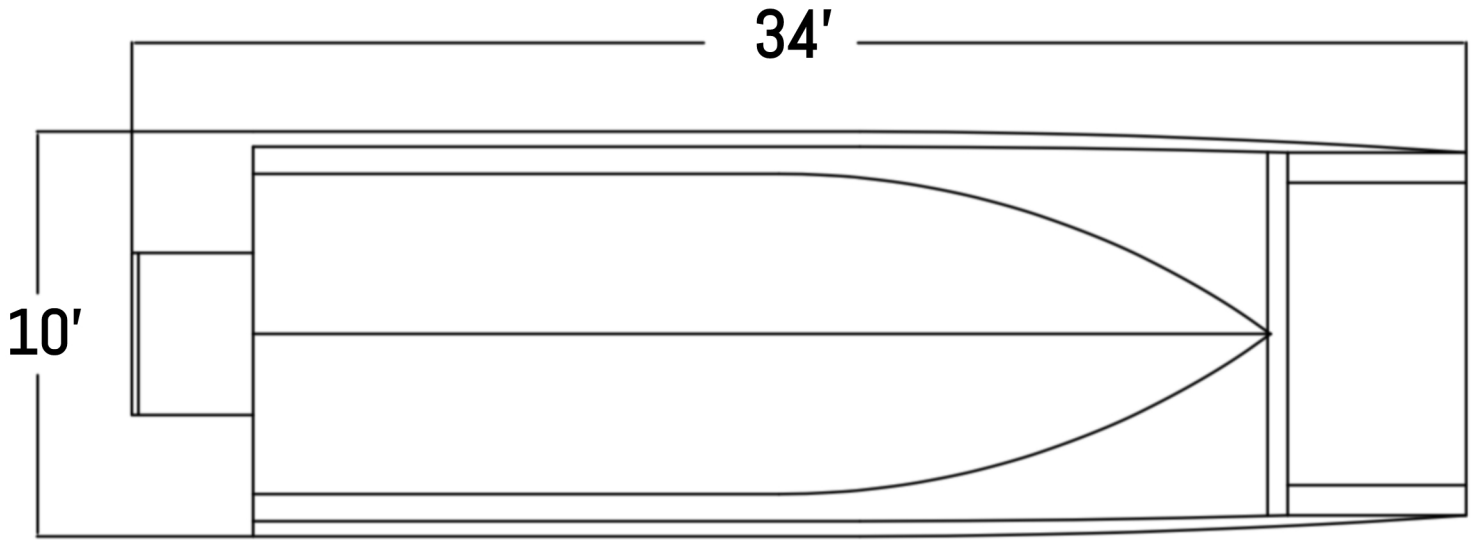
Project Details

HULL MODEL 3410

BUILD #LC-5

DIMENSIONS: LENGTH 34' BEAM 10'

POWER: X2 HONDA 225HP



3410



Project Details:

Hull Model 3410

Dimensions LOA 34' x 10'

Power: X2 HONDA 225 HP

